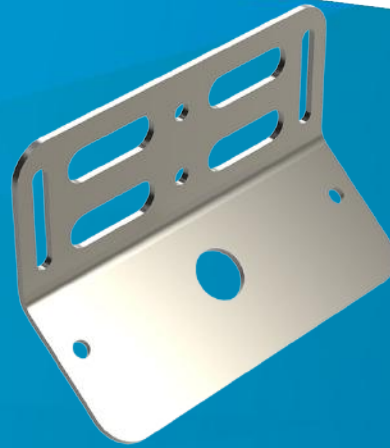


SOLAR PANEL MOUNTING BRACKET



TECHNICAL SPECIFICATIONS

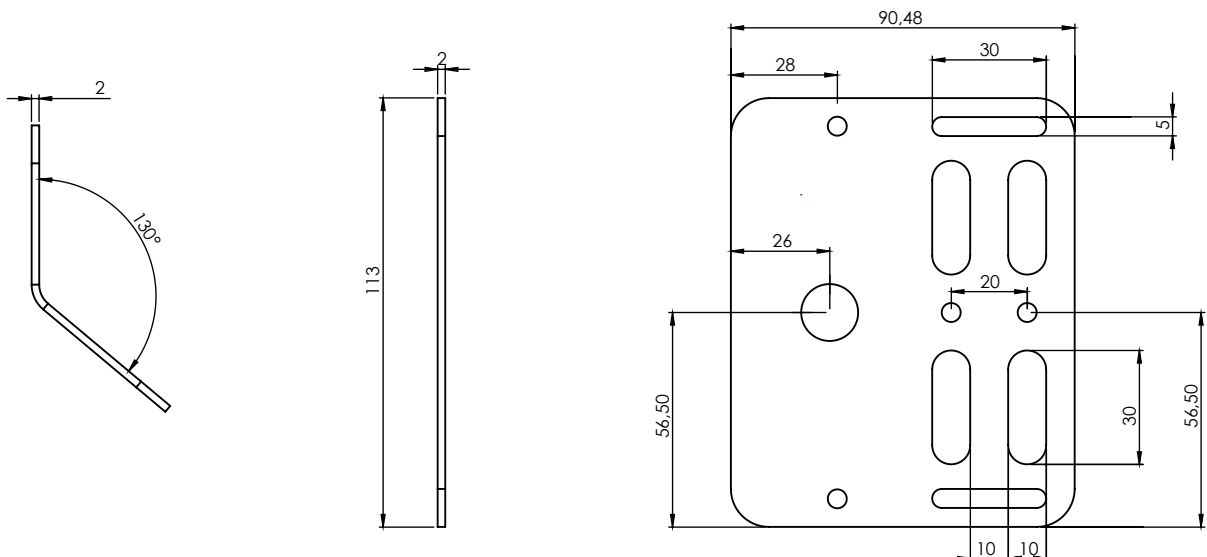
REFERENCE

PA123791601

SPECIFICATIONS

Material	Stainless steel 316
Dimensions	113 x 90,48 x 2 mm
Weight	130 g

TECHNICAL DRAWINGS



DS_ACC_PLUS_SOLAR_PANEL_MNT_BRACKET_E01A

ACCESSORIES INCLUDED

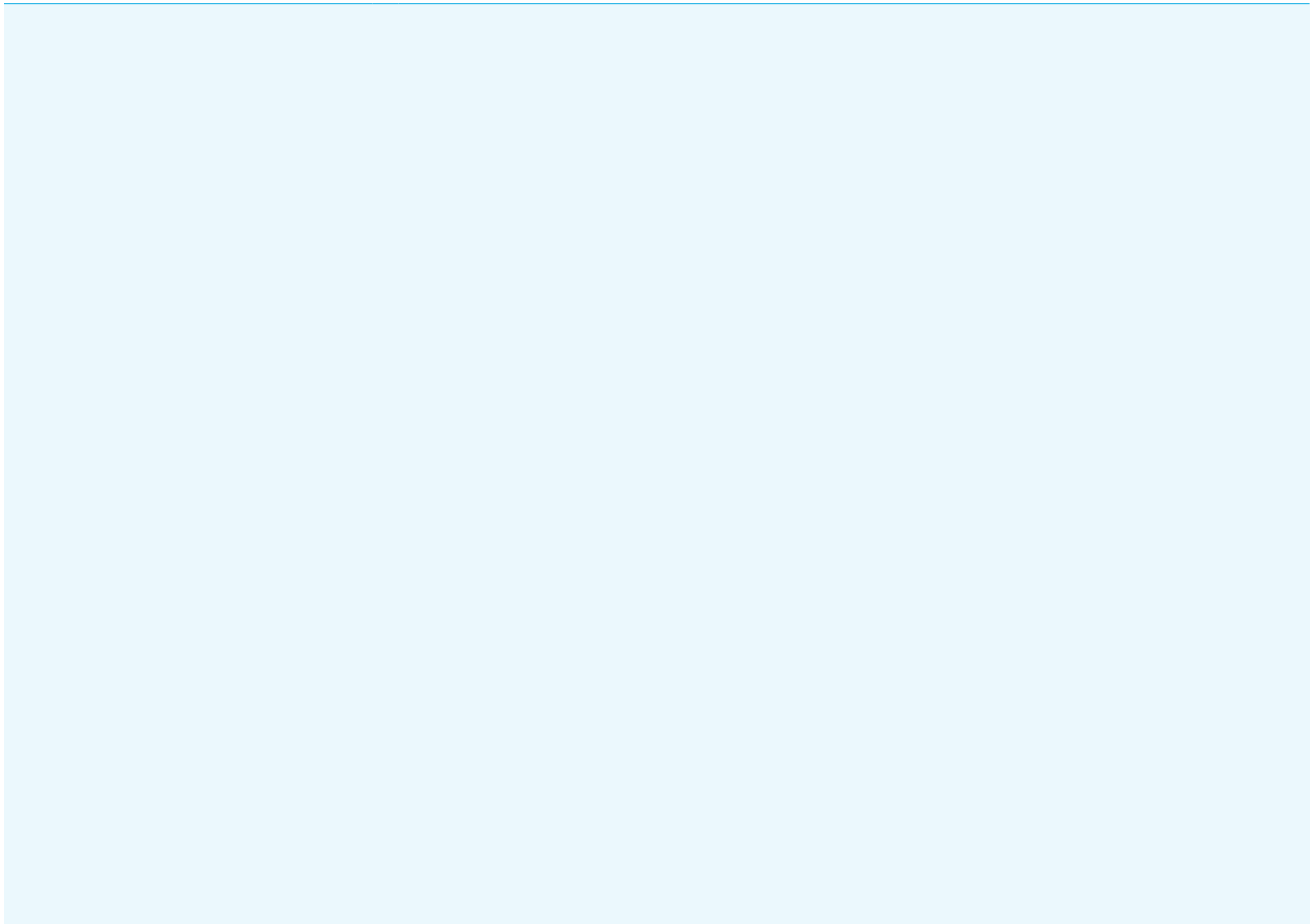
QUANTITY	DESCRIPTION
2	Plastic wall plug with screw (5 x 25 mm)
4	Inox M5 metallic ring
2	Plastic KCT zip 300 x 4,8

MOUNTING OPTIONS



COMPATIBLE PRODUCTS

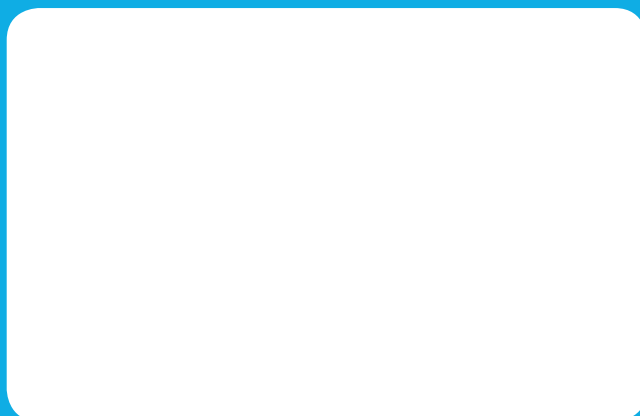
REFERENCE	DESIGNATION
PA123791600	Solar Panel 1W



TEKON ELECTRONICS
a brand of Bresimar Automação S.A.

Avenida Europa, 460
Quinta do Simão
3800-230 Aveiro
PORTUGAL

P.: +351 234 303 320
M.: +351 933 033 250
E.: sales@tekonelectronics.com



Cofinanciado por:



UNIÃO EUROPEIA
Fundo Europeu
de Desenvolvimento Regional