

PLUS MOUNTING BRACKET



TECHNICAL SPECIFICATIONS

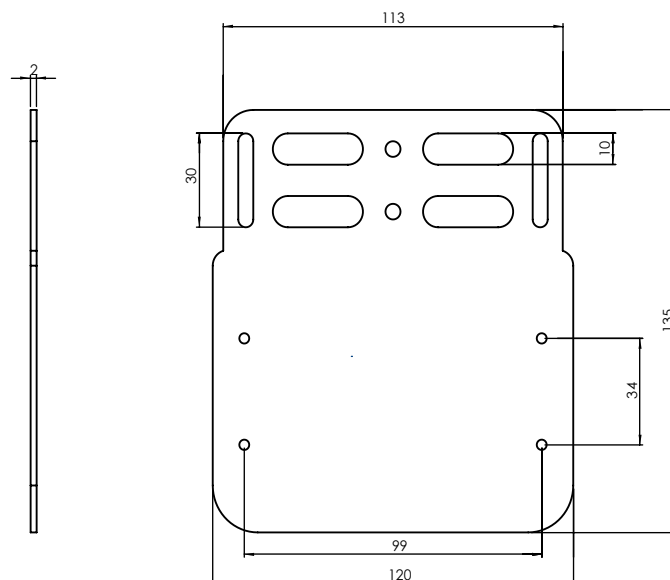
REFERENCE

PA123791700

SPECIFICATIONS

Material (*)	Stainless steel 316
Dimensions	113 x 135 x 2 mm
Weight	219 g

TECHNICAL DRAWINGS



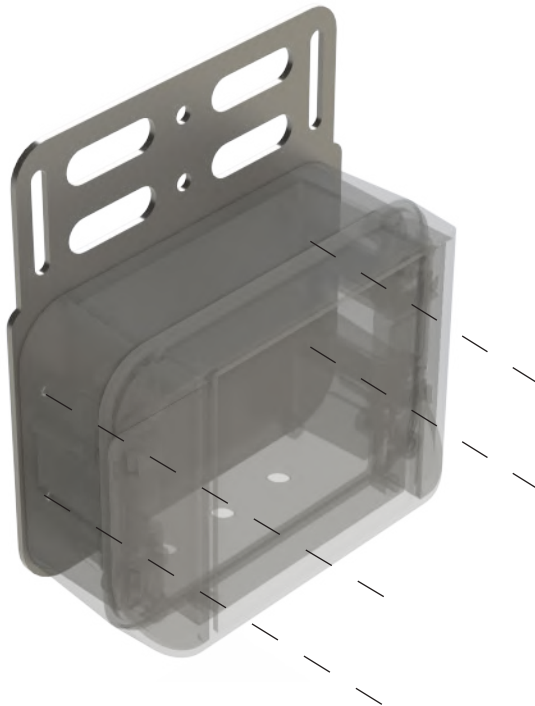
DS_ACC_PLUS_MNT_BRACKET E01A

ACCESSORIES INCLUDED

QUANTITY	DESCRIPTION
2	Plastic wall plug with screw (5 x 25 mm)
4	Inox hexagon head screw M4 x 6
2	Plastic KCT zip 300 x 4,8

MOUNTING INSTRUCTIONS

TRANSMITTER



Instructions

- 1) Open your PLUS wireless transmitter.
- 2) Position the holes on the back of the box in the drilling holes of the mounting bracket.
- 3) Fasten the 4 screws in the holes.
- 4) Close your PLUS wireless transmitter.

MOUNTING OPTIONS



COMPATIBLE PRODUCTS

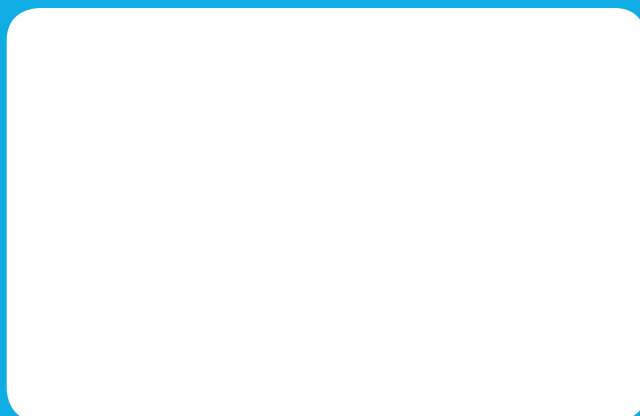
REFERENCE	DESIGNATION
PA164510610	PLUS TWP-4AI4DI1UT WIRELESS TRANSMITTER 868 MHZ
PA164510620	PLUS TWP-4AI4DI1UT WIRELESS TRANSMITTER 915 MHZ
PA164510110	PLUS TWP-4AI WIRELESS TRANSMITTER 868 MHZ

PA164510120	PLUS TWP-4AI WIRELESS TRANSMITTER 915 MHZ
PA202320310	PLUS TWP-1AI 868 MHZ
PA202320320	PLUS TWP-1AI 915 MHZ
PA202320510	PLUS TWP-1DI 868 MHZ
PA202320520	PLUS TWP-1DI 915 MHZ
PA202320110	PLUS TWP-1UT 868 MHZ
PA202320120	PLUS TWP-1UT 915 MHZ
PA202320111	PLUS TWP-1UT-IN 868 MHZ
PA202320121	PLUS TWP-1UT-IN 915 MHZ
PA202320410	PLUS TWP-2AI 868 MHZ
PA202320420	PLUS TWP-2AI 915 MHZ
PA202320610	PLUS TWP-2DI 868 MHZ
PA202320620	PLUS TWP-2DI 915 MHZ
PA202320210	PLUS TWP-2UT 868 MHZ
PA202320220	PLUS TWP-2UT 915 MHZ
PA202320211	PLUS TWP-2UT-IN 868 MHZ
PA202320221	PLUS TWP-2UT-IN 915 MHZ
PA164510310	PLUS WRP001 WIRELESS REPEATER 868 MHZ
PA164510320	PLUS WRP001 WIRELESS REPEATER 915 MHZ

TEKON ELECTRONICS
a brand of Bresimar Automação S.A.

Avenida Europa, 460
Quinta do Simão
3800-230 Aveiro
PORTUGAL

P.: +351 234 303 320
M.: +351 933 033 250
E.: sales@tekonelectronics.com



Cofinanciado por:



UNIÃO EUROPEIA
Fundo Europeu
de Desenvolvimento Regional