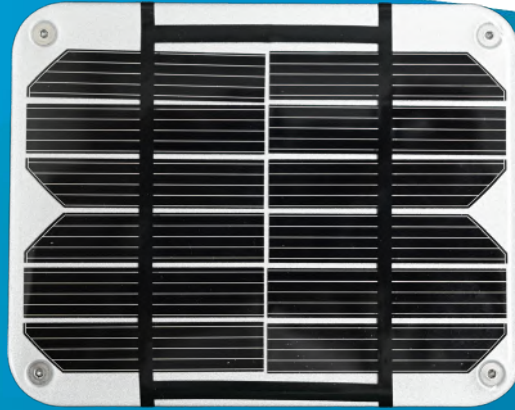


SOLAR PANEL 1W



TECHNICAL SPECIFICATIONS

REFERENCE

PA123791600

HOUSING

Dimensions	113 x 89 x 4,8 mm
Material	Silver APC / Urethane
Weight	Approx. 70 g
Protection index	IP67

POWER SPECIFICATIONS

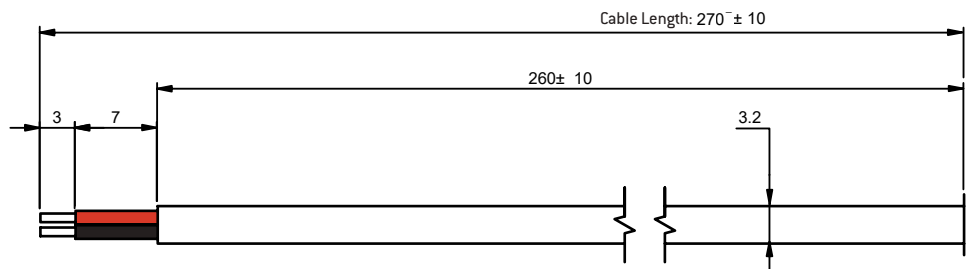
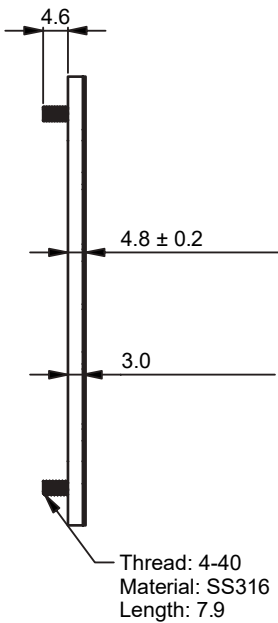
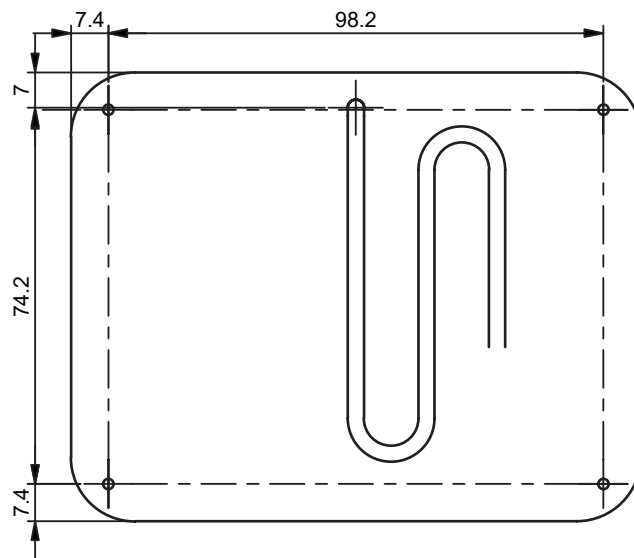
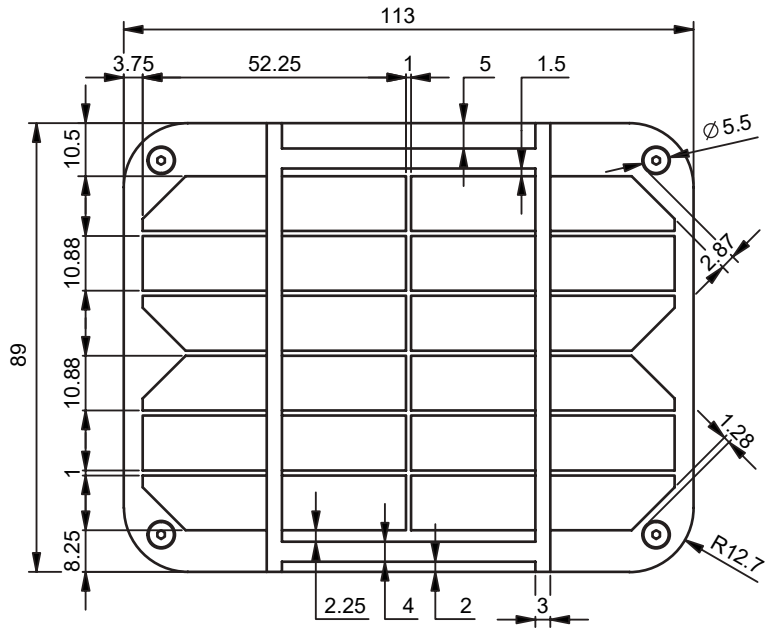
	NOMINAL	EXPECTED
Open-circuit voltage	7,67 V	7,28 V
Voltage at max power	6,50 V	6,18 V
Short-circuit current	0,21 A	0,20 A
Current at max power	0,19 A	0,18 A
Maximum power	1,24 W	1,12 W
Output tolerance	± 10% of voltage and current	
Solar cell	EEPV EE6E3C 3BB	
Cell pieces	12	

CERTIFICATIONS AND APPROVALS

EN 61000-6-3

2011/65/EU Directive

TECHNICAL DRAWINGS



Cable color	Polarity
Black	GND
Red	(+)

MOUNTING OPTIONS



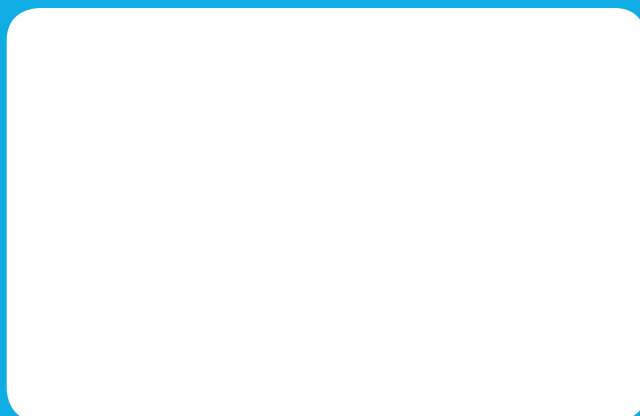
COMPATIBLE PRODUCTS AND ACCESSORIES

PA123791300	PLUS INTERNAL RECHARGEABLE BATTERIES KIT
PA123791301	PLUS RECHARGEABLE BATTERIES POWER BOX
PA123791601	SOLAR PANEL MOUNTING BRACKET

TEKON ELECTRONICS
a brand of Bresimar Automação S.A.

Avenida Europa, 460
Quinta do Simão
3800-230 Aveiro
PORTUGAL

P.: +351 234 303 320
M.: +351 933 033 250
E.: sales@tekonelectronics.com



Cofinanciado por:



UNIÃO EUROPEIA
Fundo Europeu
de Desenvolvimento Regional