



DUOS WIRELESS SYSTEM LEDS DESCRIPTION

BR_DUOS_LED_E01A

DUOS WIRELESS SYSTEM LEDS BEHAVIOUR

Table of contents

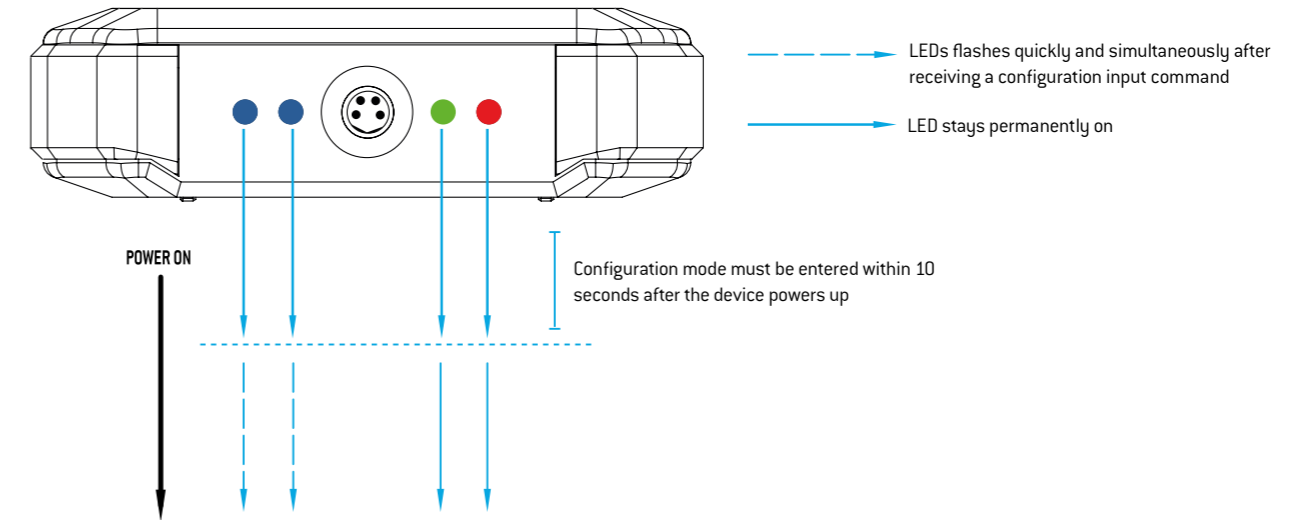
step
01 DUOS TRANSMITTERS LEDES BEHAVIOUR
Pages 3 to 5

step
02 DUOS REPEATER LEDES BEHAVIOUR
Page 6

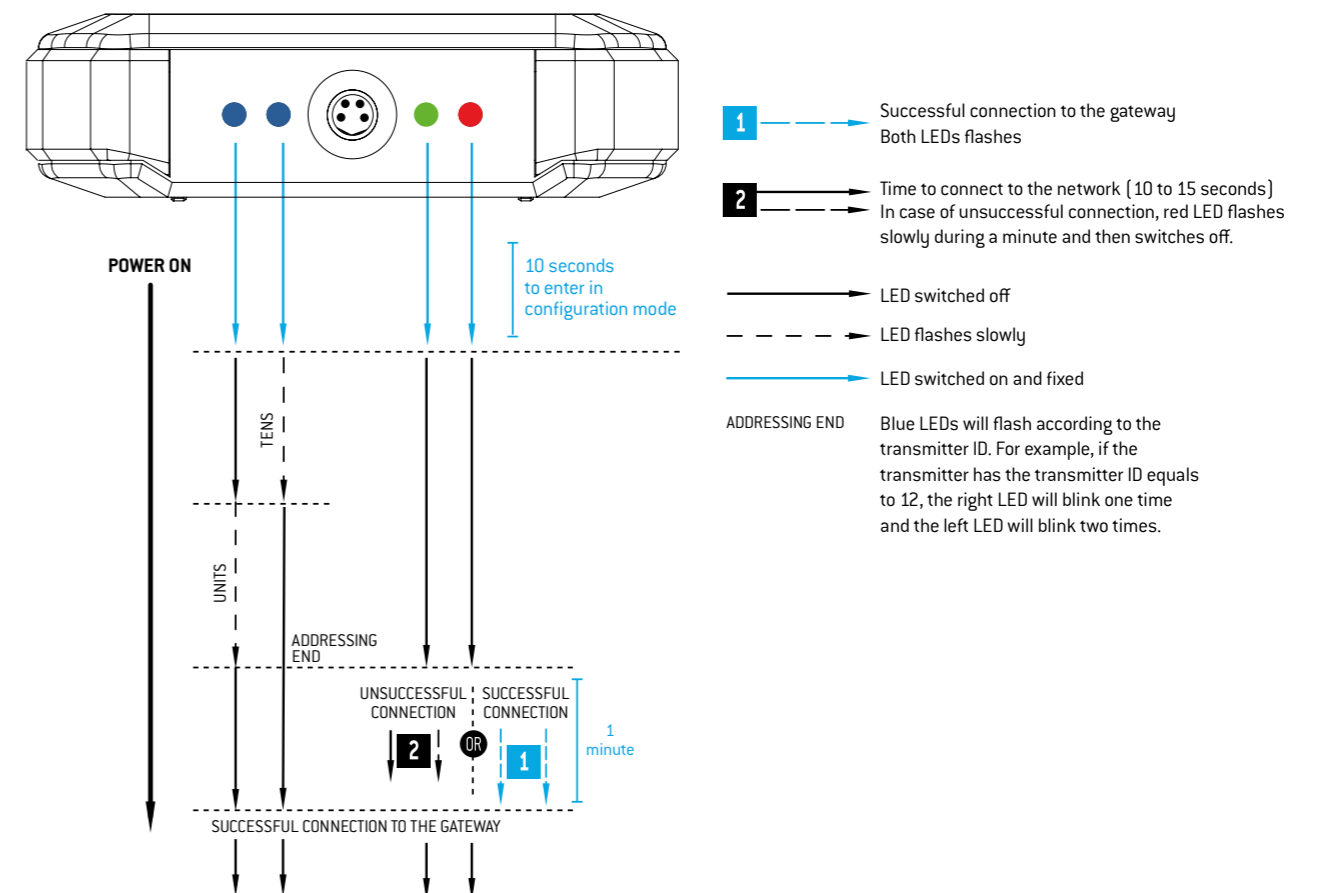
step
03 DUOS GATEWAYS LEDES BEHAVIOUR
Page 7

step
01 DUOS TRANSMITTERS LEDES BEHAVIOUR

CONFIGURATION MODE

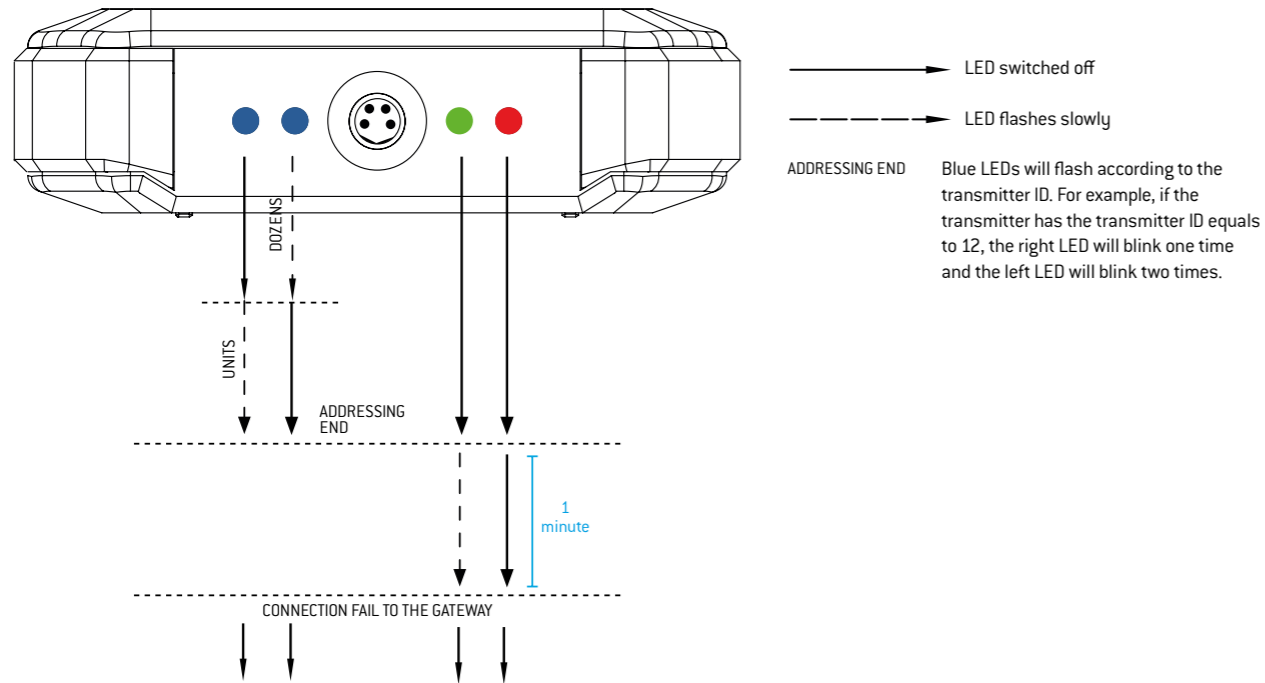


NORMAL MODE

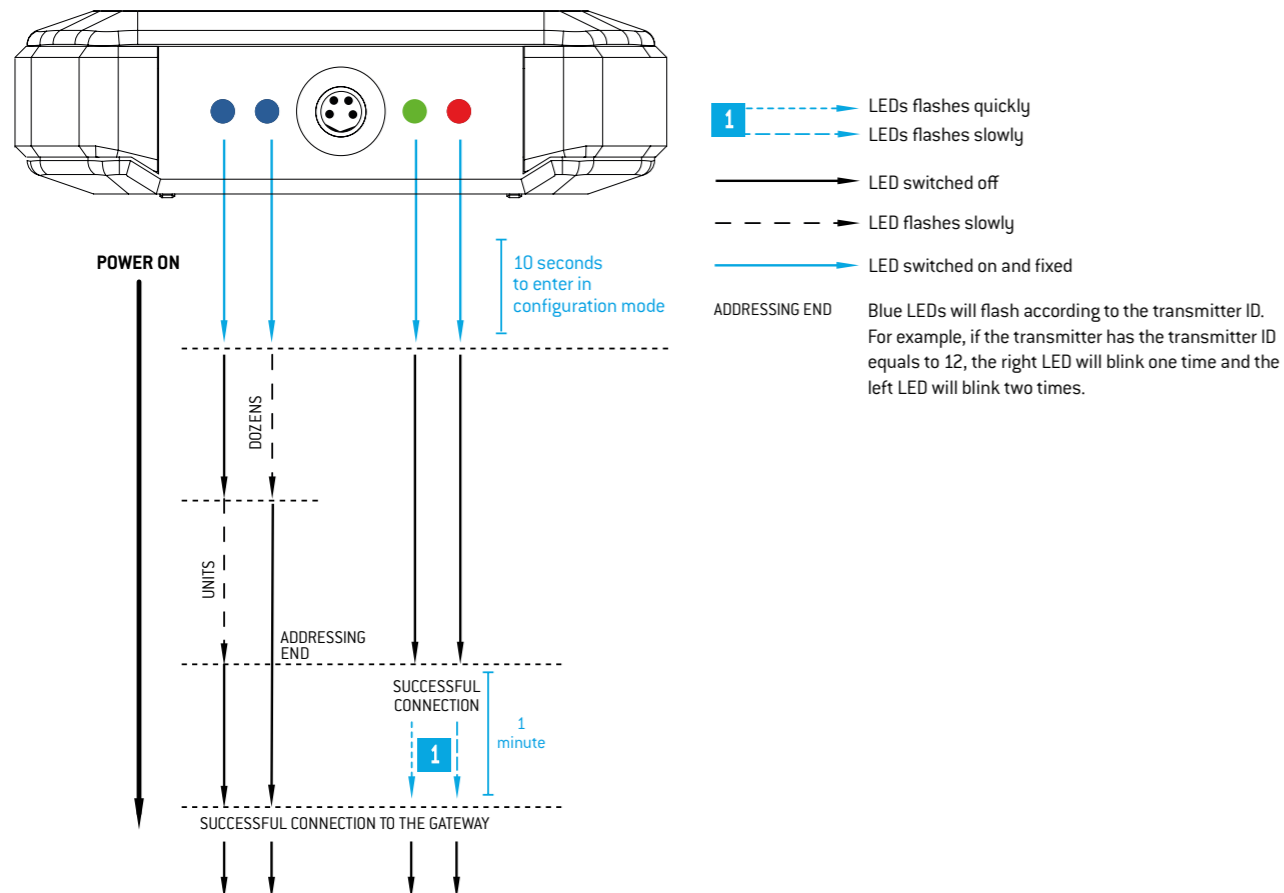


step
01 DUOS TRANSMITTERS LEDS BEHAVIOUR

GATEWAY CONNECTION FAILURE

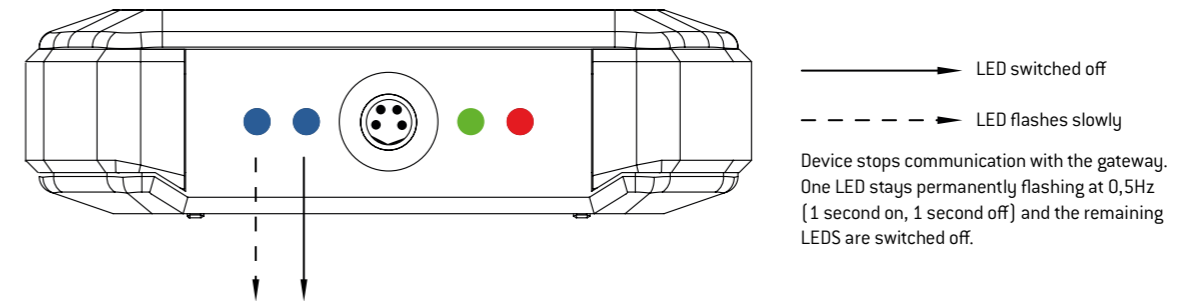


CONNECTION THROUGH THE REPEATER



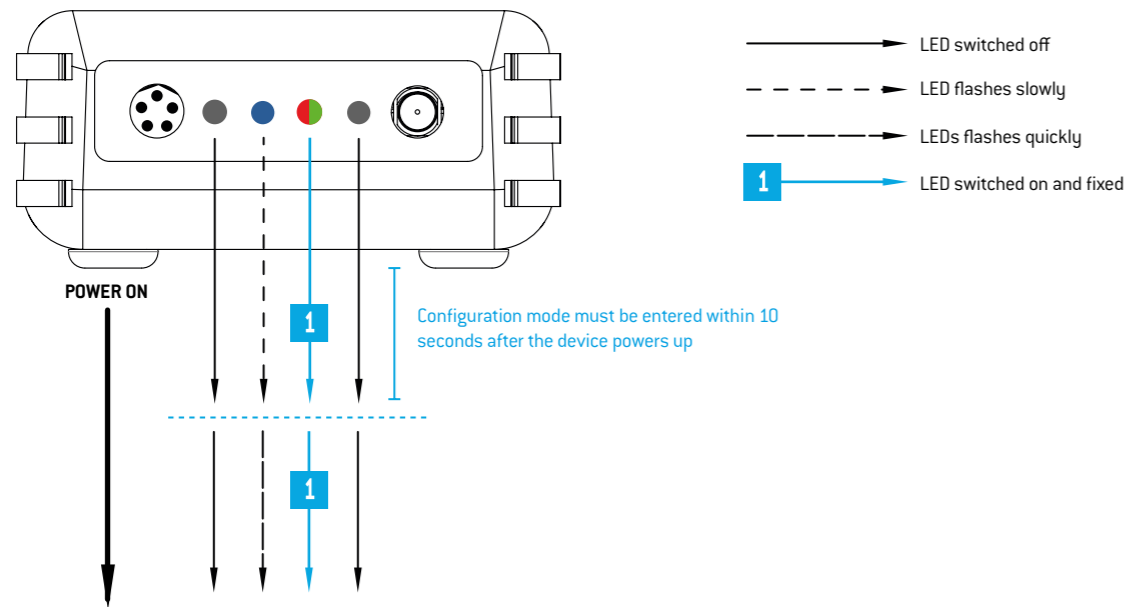
step
01 DUOS TRANSMITTERS LEDS BEHAVIOUR

CRITICAL BATTERY LEVEL

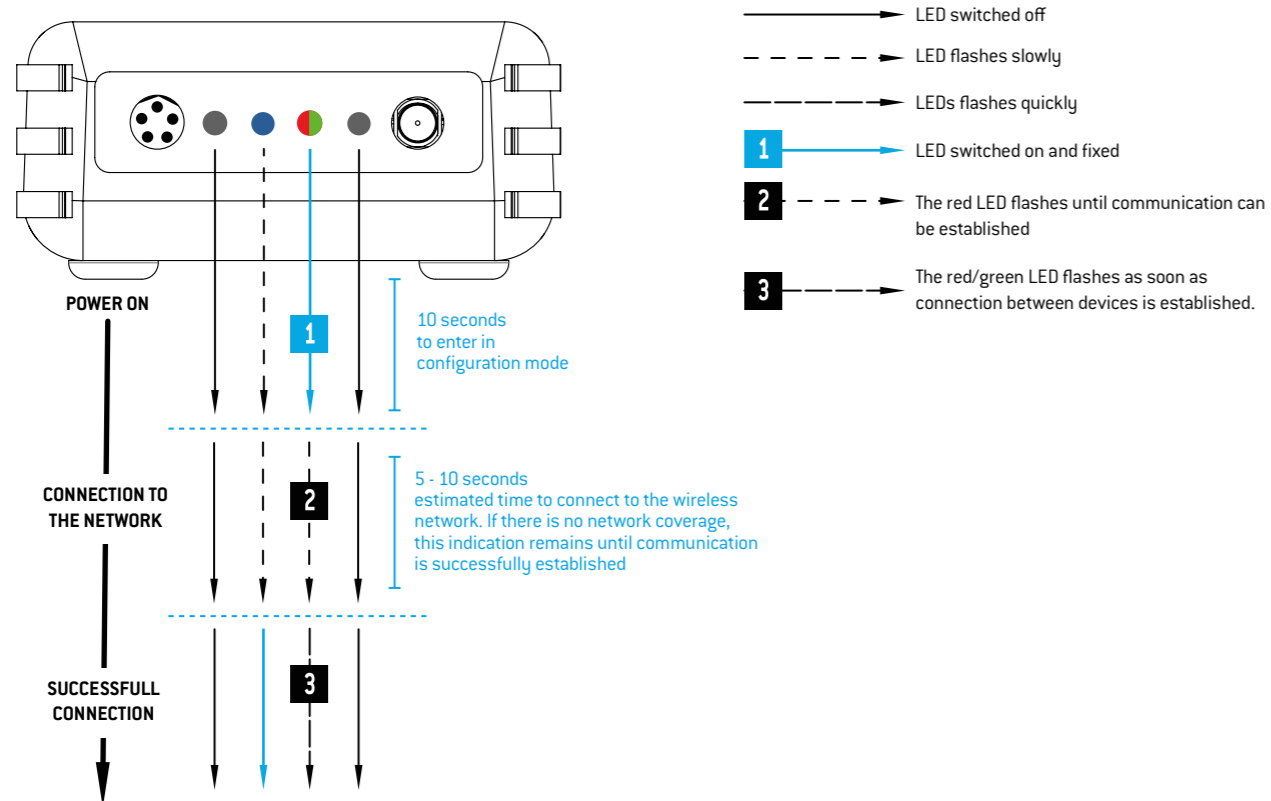


step
02 DUOS REPEATER LEDS BEHAVIOUR

CONFIGURATION MODE

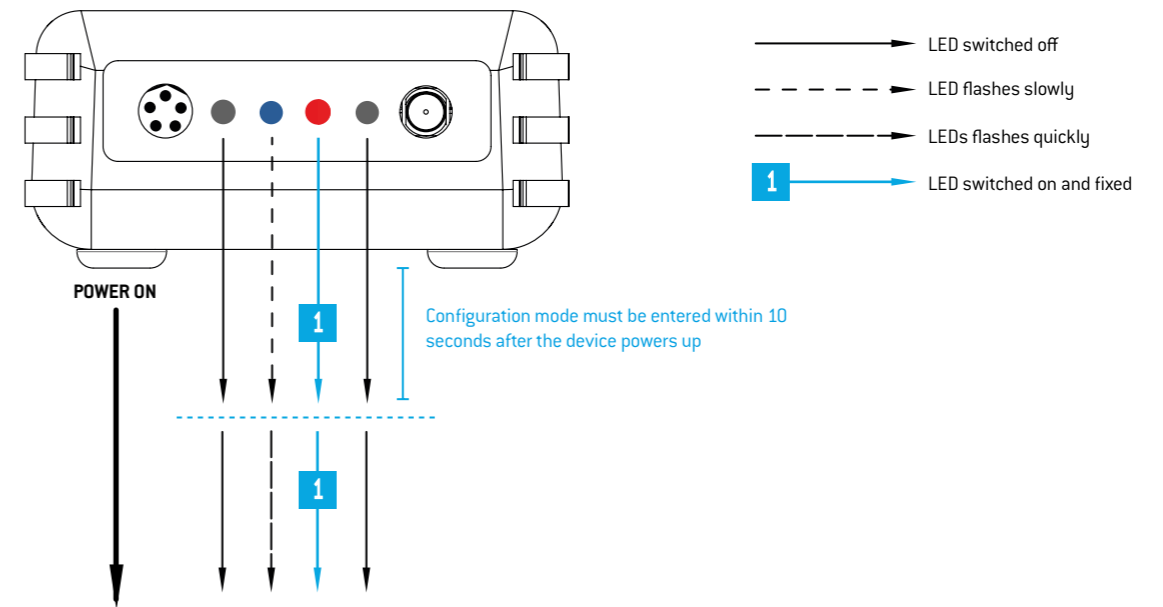


NORMAL MODE

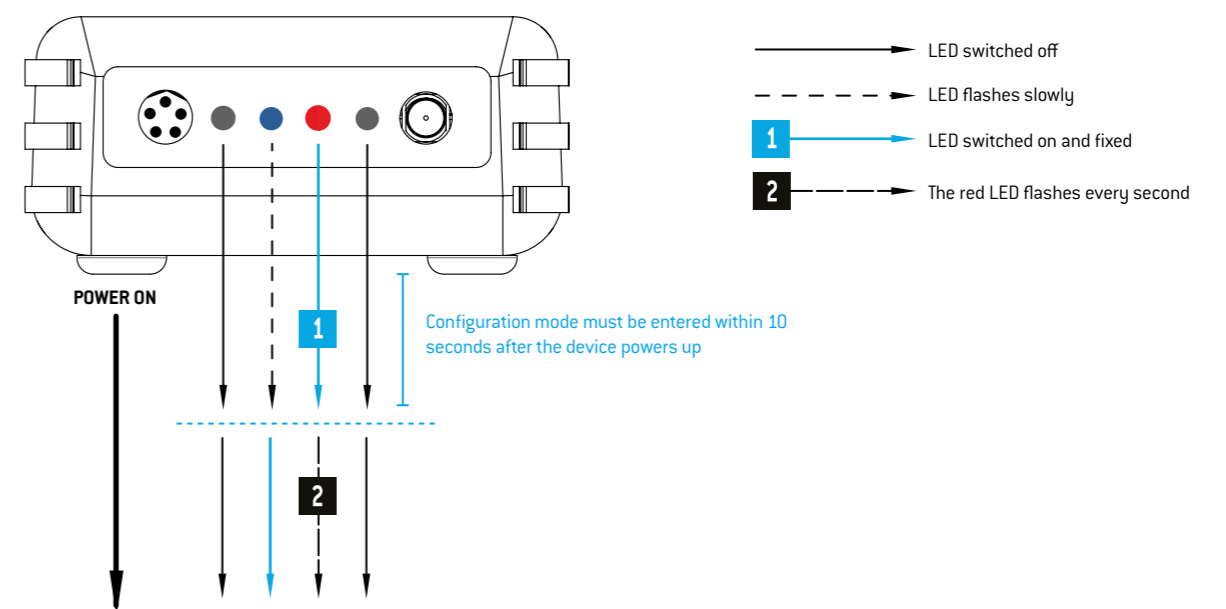


step
03 DUOS GATEWAYS LEDS BEHAVIOUR

CONFIGURATION MODE



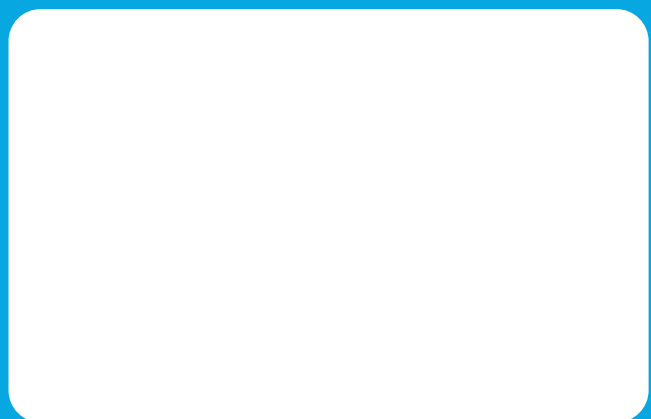
NORMAL MODE



TEKON ELECTRONICS
a brand of Bresimar Automação S.A.

Avenida Europa, 460
Quinta do Simão
3800-230 Aveiro
PORTUGAL

P.: +351 234 303 320
M.: +351 933 033 250
E.: sales@tekonelectronics.com



Cofinanciado por:

