

UNIVERSAL SOLAR PANEL MOUNTING BRACKET V2.0



TECHNICAL SPECIFICATIONS

REFERENCE

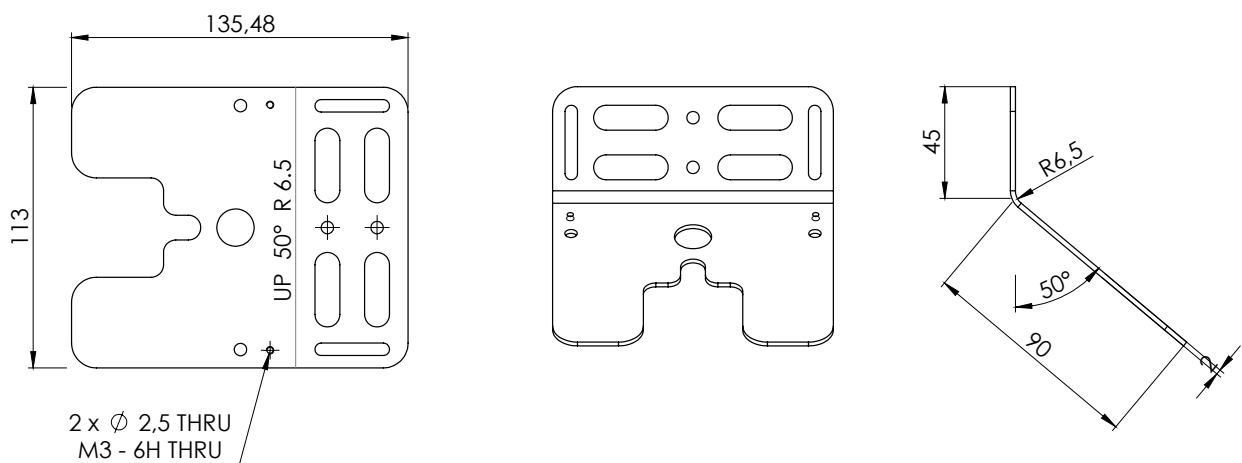
PA123791601

SPECIFICATIONS

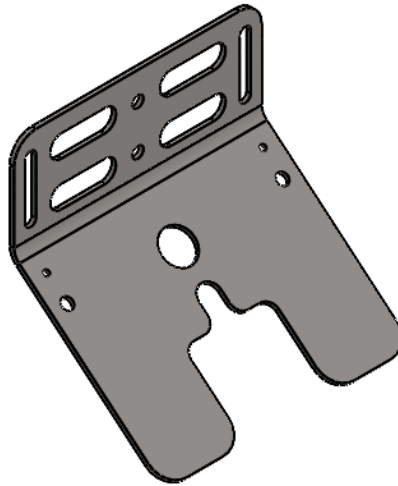
Material	Stainless steel 316
Dimensions	113 x 135,48 x 2 mm
Weight	180 g

TECHNICAL DRAWINGS

Flat Pattern



DS_ACC_PLUS_UNIV_SOL_PNL_MNT_BRCKT_E01A



ACCESSORIES INCLUDED

QUANTITY	DESCRIPTION
2	Plastic wall plug with screw (5 x 25 mm)
4	Inox M5 metallic ring
2	Plastic KCT zip 300 x 4,8

MOUNTING OPTIONS



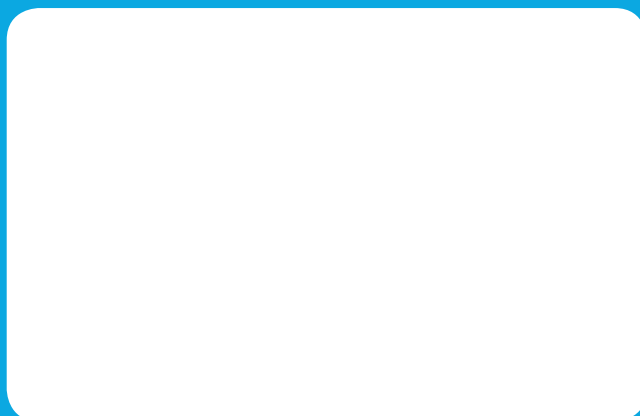
COMPATIBLE PRODUCTS

REFERENCE	DESIGNATION
PA123791600	Solar Panel 1W
PA123791602	Solar Panel 2W

TEKON ELECTRONICS
a brand of Bresimar Automação S.A.

Avenida Europa, 460
Quinta do Simão
3800-230 Aveiro
PORTUGAL

P.: +351 234 303 320
M.: +351 933 033 250
E.: sales@tekonelectronics.com



Cofinanciado por:



UNIÃO EUROPEIA
Fundo Europeu
de Desenvolvimento Regional